

**Standart**  
POMPA ve MAKİNA SANAYİ TİC. A.Ş.

[www.standartpompa.com](http://www.standartpompa.com) / e-mail: [info@standartpompa.com.tr](mailto:info@standartpompa.com.tr)

**Factory - Center**

Organize Sanayi Bölgesi  
2.Cad No:9 34775  
İstanbul - TÜRKİYE  
Pbx: +90 216 466 89 00  
Fax: +90 216 415 88 60

**Service and Spare Parts**

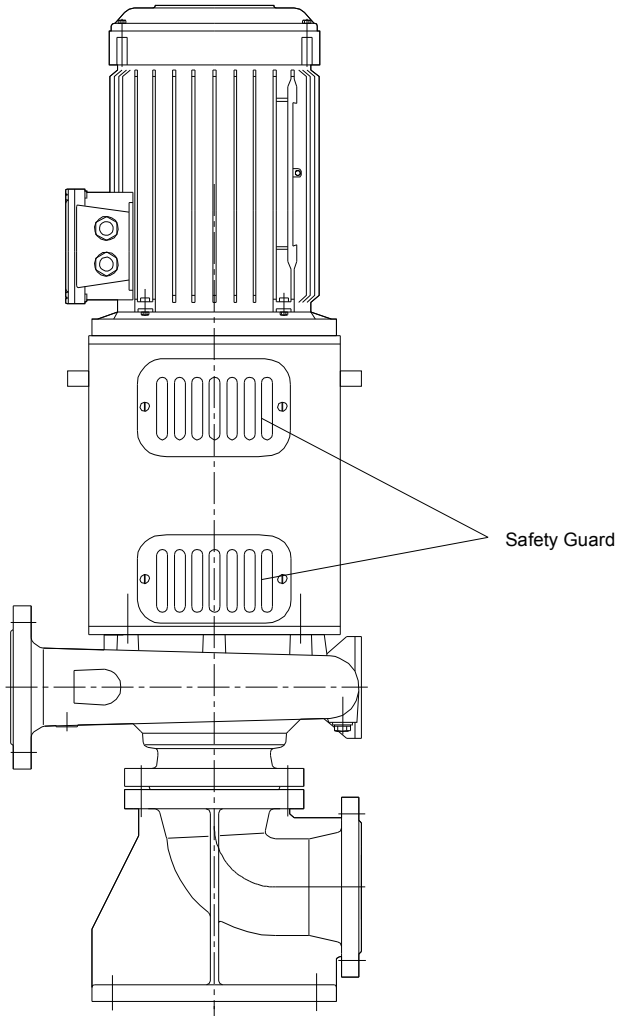
Organize Sanayi Bölgesi  
2.Cad No:9 34775  
İstanbul - TÜRKİYE  
Pbx: +90 216 466 89 00  
Fax: +90 216 466 89 13

## Instructions for Installation, Operation and Maintenance

Standart Pompa ve Makina San. Tic. A.Ş.

All rights reserved. Can not be copied or reproduced for any purpose without permission.  
Subject in the manual can be changed without any prior notice.

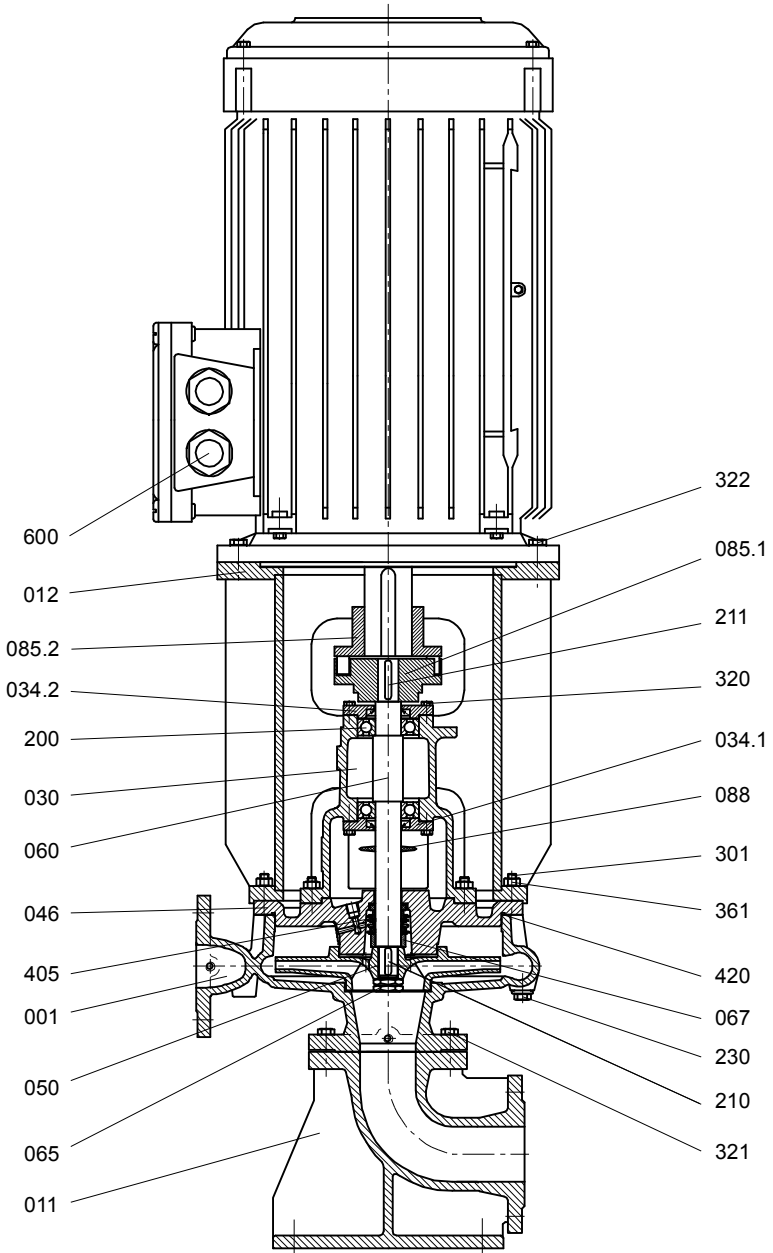
# N- SAFETY GUARD



**Note: All guards are conforming to EN 294.**

<b>F-</b>	<b>DISASSEMBLY, REPAIR AND REASSEMBLY</b>	<b>8</b>
	F1- Disassembly	9
	F2- Reassembly	9
	F3- Shaft Seal	9
	F3.1- Pump with soft packing gland	9
	F3.2- Pump with mechanical seal	9
<b>G-</b>	<b>SPARE PARTS</b>	<b>10</b>
<b>H-</b>	<b>FAULTS, CAUSES AND REMEDIES</b>	<b>10</b>
<b>I-</b>	<b>TIGHTENING TORQUES</b>	<b>12</b>
<b>J-</b>	<b>EXPECTED NOISE VALUES</b>	<b>12</b>
<b>K-</b>	<b>PERMISSIBLE FORCES AND MOMENTS AT THE PUMP FLANGES</b>	<b>13</b>
<b>L-</b>	<b>PUMP DIMENSION GROUPS AND WEIGHTS</b>	<b>14</b>
<b>M1-</b>	<b>SECTIONAL DRAWINGS</b>	<b>15</b>
<b>M2-</b>	<b>SECTIONAL DRAWINGS</b>	<b>16</b>
<b>N-</b>	<b>SAFETY GUARD</b>	<b>17</b>

M1- SECTIONAL DRAWINGS



# SNMV-H PUMPS

## A- GENERAL

### A1- Pump Description

- **SNMV-H** series pumps are radially split volute casing, single stage, end suction centrifugal pumps with closed impeller.
- Main dimension of casing complies with EN 733.

### A2- Applications

**SNMV-H** series pumps are suitable for clean or slightly contaminated (max. 20 mg/dm<sup>3</sup>) liquids with low viscosities and temperatures up to 140 °C. The main application areas, among others, are

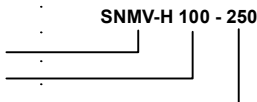
- Water supply, water treatment and irrigation systems,
- Warm water heating, chilled and cooling water systems.
- Water systems for industrial uses,
- Industrial circulating systems,
- Fire fighting
- Power plants

### A3- Pump Designation

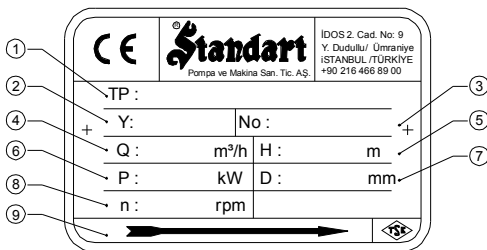
Pump type

Discharge nozzle (DN - mm)

Nominal impeller diameter (mm)



### A4- Pump Nameplate



- 1- Pump Type and Size
- 2- Production Year
- 3- Serial No
- 4- Capacity
- 5- Head
- 6- Motor Power
- 7- Impeller Diameter
- 8- Speed
- 9- Direction of Rotation

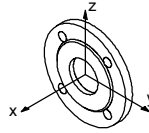
### A5- Technical Data

Speed	: up to 3600 rpm
Discharge Nozzle	: DN 32 up to 250 mm
Suction and Discharge Flanges	: EN 1092 - 2 / PN 16
Operating Temperature	: -10 °C up to 140 °C
Ambient Temperature (max)	: 40 °C
Casing Pressure (max)	: 10 bar
Permissible Liquids	: See A2

## K- PERMISSIBLE FORCES AND MOMENTS AT THE PUMP FLANGES

Type	Fv	Fh	ΣF	ΣMt
32-160	1300	950	1600	180
32-200				
40-200				
40-250	1400	1000	1700	200
50-160	1500	1100	1800	280
50-200				
50-250				
50-315				
65-160	1800	1300	2200	450
65-200				
65-250				
65-315				
80-200	2300	1500	2700	630
80-250				
80-315				
80-400				
100-200	3100	1900	3600	930
100-250				
100-315				
100-400				

Type	Fv	Fh	ΣF	ΣMt
125-200	4200	2600	4900	1400
125-250				
125-315				
125-400	5000	3300	6000	1800
150-200				
150-250				
150-315				
150-400				



\* Forces in Newton [N], moments in Newton x Meter [N.m].

\*\* Values are applicable for casing material "Grey Cast Iron (EN-JL-250 / GG25)".

Higher values are permissible for steel construction pumps.

**Attention:** The real forces and moments which affects on flanges must be satisfied following equations;

$$| F_{z \text{ inlet}} | + | F_{z \text{ outlet}} | \leq F_v$$

$$[ (F_{x \text{ inlet}})^2 + (F_{y \text{ inlet}})^2 ]^{1/2} + [ (F_{x \text{ outlet}})^2 + (F_{y \text{ outlet}})^2 ]^{1/2} \leq F_h$$

$$[ (M_{x \text{ inlet}})^2 + (M_{y \text{ inlet}})^2 + (M_{z \text{ inlet}})^2 ]^{1/2} + [ (M_{x \text{ outlet}})^2 + (M_{y \text{ outlet}})^2 + (M_{z \text{ outlet}})^2 ]^{1/2} \leq M_t$$

$$\left( \frac{\sum |F_v|}{F_{v \text{ max.}}} \right)^2 + \left( \frac{\sum |F_h|}{F_{h \text{ max.}}} \right)^2 + \left( \frac{\sum |M_t|}{M_{t \text{ max.}}} \right)^2 \leq 1$$

**Example:** Calculations of forces and moments on flanges

Pump Type	Inlet Flange (DN)	Outlet Flange (DN)
SNMH 100-250	125	100

Let the forces and moments be given as follows;

Inlet			Outlet			Inlet			Outlet		
F <sub>x</sub> (N)	F <sub>y</sub> (N)	F <sub>z</sub> (N)	F <sub>x</sub> (N)	F <sub>y</sub> (N)	F <sub>z</sub> (N)	M <sub>x</sub> (Nm)	M <sub>y</sub> (Nm)	M <sub>z</sub> (Nm)	M <sub>x</sub> (Nm)	M <sub>y</sub> (Nm)	M <sub>z</sub> (Nm)
200	400	-500	250	0	400	90	100	-170	100	0	85

$$|-500| + |400| = 900 \leq 2200 \text{ N}$$

$$[ 200^2 + 400^2 ]^{1/2} + [ 250^2 + 0^2 ]^{1/2} = 697 \leq 1300 \text{ N}$$

$$[ 90^2 + 100^2 + (-170)^2 ]^{1/2} + [ 100^2 + 0^2 + 85^2 ]^{1/2} = 348 \leq 650 \text{ Nm}$$

$$[ 900 / 2200 ]^2 + [ 697 / 1300 ]^2 + [ 348 / 650 ]^2 = 0.74 \leq 1$$

### B3- Storage

- If the pump is not to be installed and operated soon after arrival, store the pump in a clean, dry and frost-free place with moderate changes in ambient temperature.
- To prevent the pump from moisture, dust, dirt and foreign materials suitable steps should be taken.
- The pump shaft should be revolved periodically (e.g. once a week) to prevent pitting of the bearing surfaces and the pump from seizing up.

## C- INSTALLATION ON SITE

**ATTENTION** Installation has to be carried out in accordance with EN 60204-1.

The pump should only be installed, levelled up and aligned by skilled personnel. Incorrect installation or defective foundation could result in troubles. This would not be covered by the warranty.

### C1- Preparation For Installation

*Before installing the pump clean the suction and discharge flanges thoroughly.*

### C2- Installation Site

- ATTENTION**
- The pump must be installed in a frost and dust-free, well-ventilated and non-explosive environment.
  - The pump should be installed such that there is space for access, ventilation, maintenance and there is sufficient space above the pump for it to be lifted.
  - The suction pipe should be kept as short as possible.

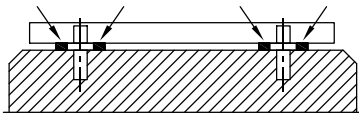
#### C2.1- Foundation

**ATTENTION**

- The greatest care must be taken in preparing the foundation and mounting the pump set. Incorrect installation will result in premature wear of pump components and break down of the pump. The foundation should be heavy enough to reduce vibrations and rigid enough to avoid any twisting or misalignment. Make sure the concrete foundation has set firm and solid before mounting the pumpset. The surface of the foundation should be truly horizontal and perfectly flat.

#### C2.2- Installation

- Place the pumpset on the concrete and by adding or removing shims under the baseplate align the discharge flange horizontally by using a spirit level on it as shown on **Fig.2** Make sure it is completely horizontal.
- Slightly tighten the anchor bolts.
- Check the coupling alignment as explained in section C4.
- Fill in the baseplate with concrete. Make no air left in it and the baseplate is well integrated with concrete foundation.
- Wait until the concrete firmly set (minimum 3 days).
- Tighten the anchor bolts. **CHECK THE COUPLING ALIGNMENT AGAIN**



*Fig. 2. Foundation, baseplate and fitting the shims*

**ATTENTION** The pump set is mounted to the baseplate either by pump feet or motor feet. You can find the correct way in Section K, depending on pump and motor sizes (P: Pump feet mounted; M: Motor feet)



**Table 6**

	<b>POSSIBLE CAUSES</b>	<b>REMEDIES</b>
1	There may be air existing in pump or suction pipe	Fill pump and suction pipe completely with liquid and repeat the priming procedure.
2	Ingress of air through shaft seal, suction pipe or suction port. Pump lifts liquid with air	Check for leaks in suction pipe joints and fittings. Check shaft seal if necessary increase the pressure of sealing liquid. Check the dept of suction pipe or foot valve in the liquid and if necessary increase the depth of them.
3	Air pocket in the suction pipe.	Check the slope of the suction line make sure that there is no reason for formation of air pockets
4	There is air in liquid	Suction pipe is not submerged enough creating vortex. Check liquid level in suction tank or increase the depth of suction pipe or foot valve in the liquid.
5	Too much suction lift	If no obstruction at inlet check the friction losses of suction line, larger piping may correct condition. If static lift is too high, the liquid level in the suction tank must be raised or the pump lowered.
6	Pump is working at cavitation conditions	NPSH available is too low. Check liquid level in suction tank, check suction line for excessive friction losses. Check isolating valve in suction line to make sure it is completely open. If necessary increase suction head on pump by lowering the pump.
7	Insufficient manometric head.	The actual total head is higher than that originally specified. Check the geodetic total head and friction losses in the discharge line. Larger piping may correct the condition. Check that valves are fully open.
8	Increase at total manometric head.	Check that valves are fully open. Check that there is any obstruction in discharge pipe.
9	Pump is operating at lower manometric head.	The actual total head is lower than that originally specified. Machine impeller outer diameter to size advised by supplier.
10	Reverse rotation.	Check motor rotation with directional arrow on pump casing or nameplate.
11	Speed is too low.	Check the supply voltage and frequency or motor may have open phase.
12	Speed is too high.	If possible decrease the pump rotational speed or turn down the impeller outer diameter to size advised by supplier.
13	Impeller or check valve or strainer is clogged.	Clean the impeller or check valve or strainer
14	Impeller or strainer is clogged partially.	Clean the impeller or strainer.
15	Partially clogged impeller.	Clean the impeller.
16	Worn out and defected impeller.	Replace impeller.
17	Mechanical frictions inside the pump.	Check pump rotor for any rotor obstruction or deflection.
18	Excess tightened soft packing.	Loosen the nuts of the packing gland.
19	Bad coupling alignment.	Check the coupling rubber and realign the coupling.
20	Bearing covers are too tight.	Check and make necessary modification on the cover.
21	The pumped flow is less than the minimum flow required.	Increase the flow. If necessary use by-pass recirculating valve or line.
22	Existence of excess grease.	Remove excess grease.
23	Oblique shaft.	Check the shaft and replace it if necessary.
24	Insufficient lubrication or lubricating oil/grease dirty, contaminated.	Check the amount of oil/grease. Clean the bearings and bearing housing and relubricate
25	Unbalanced rotating parts.	Check the balance of the rotating parts.
26	Pump runs out of duty range.	Check the values of operating point.
27	The density or viscosity of the liquid pumped is higher than that originally specified.	Use a more powerful motor.
28	Defects in motor.	Check any motor defects. The motor may not be ventilated properly due to a poor location.

### C3.3- Discharge piping (Fig. 4)

- A control valve should be installed in the discharge pipe, as close to the pump as possible, to regulate the required flow and head.
- If the total head of the pump exceeds 10 meters or if discharge line is of appreciable length a non return valve should be installed between the pump and isolating valve on the discharge line to protect the pump against water hammer and reverse flow on shut down.

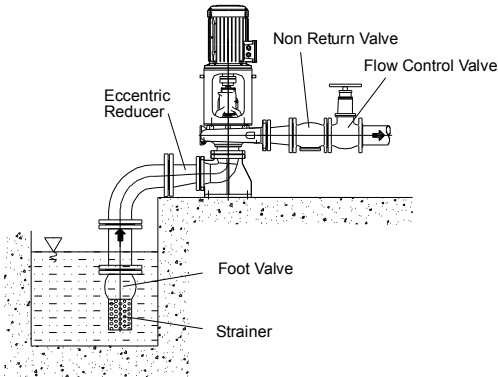


Fig. 4a. Suction Lift

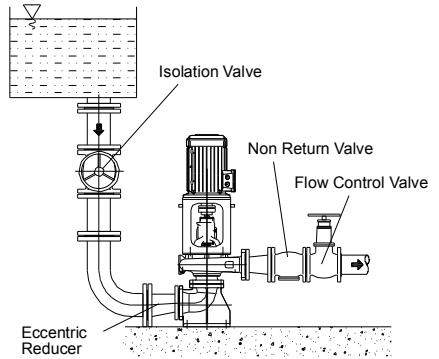


Fig. 4b. Suction Head

### C3.4- Auxiliary pipe connections and accessories

- Depending on the application auxiliary pipe connections (for cooling, sealing and flushing of seal, drainage etc. necessary for the pumping system) and/or accessories to check the operating conditions (pressure gages, temperature gages etc.) may be made up and laid.
- Pressure and vacuum gauges must be properly anchored and connected at the measuring points located on the pump flanges by means of or on the pipes close to the flanges approximately 8 mm diameter tubing with pig tail configuration to lessen pressure fluctuation. For safety purposes isolating and vent valves should be fitted before the gages (Fig. 5).
- Every pump is fitted with connections on the pump casing to drain the pump and on the bearing bracket to evacuate the seal leakage from the stuffing box (Fig. 6). If required the pump drain and seal leakage can be piped to a suitable reservoir. The pump draining piping must be fitted with an isolating valve and both must be suitable for the maximum operating pressure of the pump.

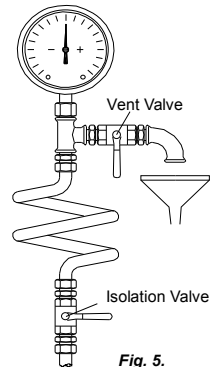


Fig. 5.

## F1- Disassembly

- Close all valves in the suction and discharge lines, and drain the pump by opening the drain plug (230).
- Remove the safety guard. (See section N for safety guard).
- Detach pump suction and discharge flanges and all auxiliary supply lines if any, disconnect the pump set from the piping system.
- Disconnect the motor (600) from the motor pedestal (012).
- Dismantle the motor pedestal (012).
- Dismantle the volute casing (001) from the seal cover (046) (Be careful to keep the seal cover (046) in place to avoid any mechanical seal (405) trouble).
- Unscrew the end nuts (065) of the impeller and take out the impeller (050) and impeller key (210). Use rust remover solvent if necessary during dismantling.
- Take out the spacer sleeve (067).
- Pull out the rotating part of the mechanical seal (405).
- Dismantle the seal cover (046) and take out the stationary part of the mechanical seal (405) from the seal cover (046).
- Dismantle shaft (060) from bearing cover (034).
- Pull off the bearing (200) from the pump shaft (060), using a pull-off device.

## F2- Reassembly

- Reassembly proceeds in reverse sequence to disassembly as described in section F1. You may find the attached drawings useful.
- Coat the seats and screw connections with graphite, silicon or similar slippery substance before reassembly. If you can not find any of the above you may use oil instead (except the pumps for drinking water)
- Never use the old gaskets, make sure the new gaskets and o-rings are the same size as the old ones.
- Start mounting from the bearings. Place ball bearings on their places on the shaft by slightly heating or by using press. Put this part to the bearing housing from the coupling side put the bearing covers at both ends to their places. Place stuffing box and impeller and tighten the impeller nut.
- Mount rotor assembly to volute casing
- Make sure the gaskets and o-rings are evenly placed without sliding and not damaged or not squeezed at all.
- Place the pump on the baseplate, couple the motor. Connect suction and discharge pipes as well as auxiliary pipes. Take the unit into operation as it was indicated in section D.

## F3- Shaft Seal

### F3.1- Pump with soft packing gland

- While starting to change soft packing thoroughly clean the stuffing box and shaft (or shaft sleeve, if used).
- Cut enough number of pieces at the suitable length diagonally from suitable size of soft packing. Roll it up over the shaft (or shaft sleeve, if used) and see the ends are in full contact.
- Insert the first packing ring as the joint will place up, and press home using the gland cover.
- Place the second ring as joint will place down. Insert all the packing rings in the same way. If there is a lantern ring put into place too.
- Place the gland and fully tighten, thus the packing rings will take the shape of stuffing box, then loosen it. Slightly tighten by turning the shaft and stop tightening when it slightly brakes the shaft.
- After starting operation, it is necessary that water drips from the packing. This dripping shouldn't be less than 10 cm<sup>3</sup>/min and more than 20 cm<sup>3</sup>/min. Adjust dripping by uniformly tightening and slacking the gland nuts slightly.
- Check the temperature of soft packing after two hours operation after gland adjustment to avoid overheating. Packing temperature must not exceed 80 °C where pumping liquid temperature is the same as ambient temperature.

### F3.2- Pump with mechanical seal

- When operating properly the mechanical seal has no visible leakage. Usually mechanical seals do not require maintenance until leakage is visible but its tightness is to be checked regularly.
- Follow the instructions of mechanical seal manufacturers for the pumps having mechanical seals and **NEVER RUN IT DRY!**
- Mechanical seal diameters are given in *Table 3*.

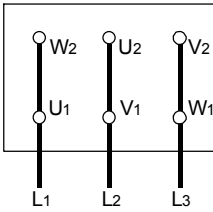


Fig. 7a.  $\Delta$  - connection

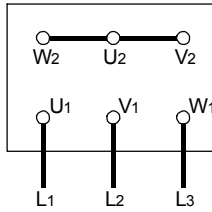


Fig. 7b. Y - connection

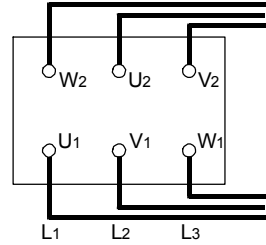


Fig. 7c. Y /  $\Delta$  - start

**ATTENTION** In the case of three-phase induction motors with Y –  $\Delta$  – connection it must be ensured that the change-over points between star and delta follow on from one another very quickly. **Longer change-over times may result in pump damage (Table 2).**

Table 2

Motor Power	Y - set time
$\leq 30$ kW	< 3 sec
> 30 kW	> 5 sec

### C3.7- Final check

- After completion all the above process rotate the pump rotor several times by hand. Make sure rotor rotates easily.
- Fix the safety guards back in places. Do not operate the pump before doing so. This is a necessity for security and job safety.

## D- START UP / SHUT DOWN

### D1- Preparation

#### D1.1- Lubrication control

Since the bearings of motor are life-time lubricated type, they are maintenance free.

#### D1.2- Check the shaft seal (see F3)

#### D1.3- Venting and priming

- Make sure that the pump and suction pipes are completely filled up with water. There is no problem for the pumps which have positive suction head. If there is a valve on suction line, it must be opened and air taps are loosened to enable the water replaces air in the pump, until it is completely full with water.
- If there is a foot valve for the pump, which has suction lift, pump is filled up with water through the filling tap at the highest point of the pump and the air is emptied out.
- If the system has a vacuum pump, water is brought up in the rising pipe and filled up the pump through this vacuum pump. When water is risen up to the highest point then the pump is started up.

**ATTENTION** Make sure the pump never runs dry.

#### D1.4- Checking the direction of rotation

SNMV-H type pumps rotate in clockwise when it is looked from coupling to the pump. This direction is already indicated on the pump nameplate by an arrow. Check this by switching the pump on, then off again immediately. Fit the coupling guard back in place if you took it out.

### D2- Start Up The Pump

- Check if the shut off valve in the suction line is open and the shut off valve in discharge line is closed.
- Switch on the circuit breaker and run the motor.
- Wait until the motor reaches the full speed (on star-delta running motors wait until it switches on delta).
- Open the discharge valve slowly while watching the ampermeter on the control panel (if the discharge line is empty do not turn on the valve fully open on first start up. Turn it on slowly to maintain the value on the ampermeter is under the rated current value of the motor).





## I- TIGHTENING TORQUES

Tightening Torques		
Thread Diameter	Tightening Torque max (N.m)	
	Property Classes	
	8.8	10.9
M4	3.0	4.4
M5	5.9	8.7
M6	10	15
M8	25	36
M10	49	72
M12	85	125
M14	135	200
M16	210	310
M18	300	430
M20	425	610
M22	580	820
M24	730	1050
M27	1100	1550
M30	1450	2100
M33	1970	2770
M36	2530	3560

## J- EXPECTED NOISE VALUES

Power of Motor $P_N$ (kW)	Sound pressure level (dB <sub>A</sub> ) * (Pump with motor)	
	1450 rpm	2900 rpm
< 0.55	60	64
0.75	60	66
1.1	62	66
1.5	63	68
2.2	64	69
3	65	70
4	66	71
5.5	67	73
7.5	69	74
11	70	76
15	72	77
18.5	73	78
22	74	79
30	75	81
37	75	82
45	76	82
55	77	84
75	78	85
90	79	85
110	80	86
132	80	86
160	80	86

(\*) Without protective sound hood, measured at a distance of 1 m directly above the driven pump, in a free space above a sound reflecting surface.

**Table 3**

Pump Dimension Group	Mechanical Seal Diameter $\varnothing$
A	30
B	40
C	50

Note: See **section L** for pump dimension group.

## G- SPARE PARTS

- **STANDART POMPA** guarantees to supply the spare parts for SNMV-H type pumps for 10 years. You can provide any spare parts easily.
- Lets us know the following details on the name-plate, when you order spare parts.

**Pump Type and Size** : (SNMV-H 125-315)

**Motor Power and Speed** : (30 kW – 1450 rpm)

**Prod. Year and Serial Number** : (2012 – 1015410)

**Capacity and Head** : (200 m<sup>3</sup>/h – 30m)

- If you prefer to have spare parts in your stock, we recommed you to have the following quantities for a two years operation depending on the number of same type of pumps (**Table 4**).

**Table 4**

Part No	Part Name	Number of Pumps in The System						
		2	3	4	5	6-7	8-9	10+
060	Shaft (Incl. keys)	1	1	2	2	2	3	30%
050	Impeller	1	1	1	2	2	3	30%
020 - 021	Wear rings (if any)	2	2	2	4	4	6	50%
200	Ball Bearings	2	2	4	4	6	8	50%
030	Bearings Housing	-	-	-	-	-	1	2 pc.
420	O-Rings for Casing	4	6	8	8	9	12	150%
400	Soft Packing (set)	4	4	6	6	6	8	40%
070	Shaft Sleeve (if any)	1	1	1	2	2	2	20%

## H- FAULTS, CAUSES AND REMEDIES

In this section you will find operating faults which may arise, and their causes (**Table 5**), and suggested remedies (**Table 6**).

### ATTENTION

Before remedying operating faults, check all measuring instruments used for reliability and accuracy.

**Table 5**

FAULTS	POSSIBLE CAUSES
Pump doesn't deliver any water after start-up	1-5-7-10-11-13
Flow is going down or no flow at all	2-3-8-14
Driver overloaded	9-12-17-18-19-27-28
Bearings overheating	19-20-21-22-24
Vibration on pump	15-16-19-23-25
Noise level is high	4-6-26



- When the valve is fully open, check the pressure on the manometer and see it is the same with the duty point pressure. If the pressure on the pressure gauge is lower than duty point pressure brings them to the duty point value by slightly closing the valve. If it is higher value, check your installation, particularly head again.

**ATTENTION** The pump should be shut down at once and the trouble should be corrected if the pump is running at its rated speed and found any of the following faults:

- Pump doesn't deliver any water,
- Pump doesn't deliver enough water,
- Flow is going down,
- Discharge pressure is not enough,
- Driver overloaded,
- Vibration on pump,
- High noise level,
- Bearing overheating

### D3- Shut Down The Pump

- Slowly close the shut-off valve in the discharge line.
- You may shut down the pump without closing the shut-off valve if there is a device for water hammer protection on the discharge line or the water hammer is not a considerable level.
- Switch off the driver. Ensure the pump set runs down smoothly and quietly to a standstill.
- Shut off external sealing liquid supply, if supplied, to relieve stuffing box pressure.
- If the set is to remain out of services for a long time close the shut-off valve in the suction pipe. Close off the auxiliary connections. In the event of frost and/or prolonged standstill, drain the pump or otherwise protect against freezing.

### D4- Checks to be Made While The Pump is Running

- The pump must run smoothly, quietly and free from vibration at all times.
- The pump must never run dry.
- Never run the pump for along period against a closed discharge valve (At zero flow).
- The bearing temperature may exceed the ambient temperature by up to 50 °C. But must never rise above 80 °C.
- The pump has a mechanical seal, these will experience only minor leakage or no visible leakage during operation. It is maintenance free. If there is considerable leakage from the seal, that means the seal surfaces are worn-out and it needs to be replaced. The operation life of the mechanical seal highly depends on the purity of the water.
- Occasionally check the motor current. Stop motor if the amperage is higher than usual; there may be jamming or friction in the pump. Make the necessary mechanical and electrical checks.
- Stand-by pumps should be run for a short time at least once a week to ensure they are in constant readiness for operation. Check the integrity of auxiliary connections.

## E- LUBRICATION

The bearings of motor are always life-time grease lubricated and then maintenance-free.

**ATTENTION** • The bearing temperature may exceed the ambient temperature by up to 50° C. But never rise above 80 °C.

- Do not reuse the bearings following disassembly for maintenance purposes.

## F- DISASSEMBLY, REPAIR AND REASSEMBLY



- Before starting work on the pumpset, make sure it is disconnected from the mains and can not be switched on accidentally.



- Follow the safety precaution measures outlined in "safety instructions".

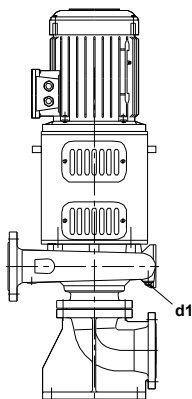


Fig. 6

d1 : Plug

### C3.5- Minimum flow

If there is a possibility of the pump having to operate at zero flow (against a closed discharge valve) or near the closed valve with almost no flow, then a minimum flow valve (or a by-pass check valve) must be installed on the discharge nozzle or on the discharge piping right after the pump but before the flow regulating valve. In cases where there is no such a valve operating the pump against close valve for a long time causes considerable damage on the pump since almost all the motor power is transformed into thermal energy which is absorbed by the pumped liquid.

### C3.6- Electrical connections



- The electrical motors have to be built in accordance with EN 60034-1.
- Enclosures of electrical motors and control systems on the pump unit shall as a minimum give protection in accordance with EN 60529 IP22. But in determining the degree of protection of enclosures of electrical motors and control systems on the pump unit the operating and environmental conditions must be taken into consideration.

- Electrical connection should be done by a qualified electrician. Current national regulation and motor manufacturer's instructions must be observed.
- Take all safety precautions listed in "Safety instructions". Disconnect all power supplies prior to doing any work.
- The supply cable must be laid in such a way that it never touches the pipework, pump and motor casing.
- Check voltage, phase and frequency on motor nameplate with the mains.
- The electric motor must be protected against overloading by means of circuit breakers and/or fuses. Circuit breakers and fuses must be selected in accordance with full load amperage of the motor appearing on the motor rating plate.
- It is recommended to use PTC (passive thermal control) on motor, but this is optional depending on customer requirement. In case of using PTC, these should be connected via corresponding terminals in the terminal box and the PTC should be connected to the thermal trip mechanism.
- Prior to connecting the electrical wiring rotate the pump shaft by hand to make sure rotor rotates easily.
- Connect the electrical wiring in accordance with local electrical codes and make sure to ground the motor.
- The connection diagram can be found in the terminal box of the motor or in the instruction manual.
- The mains connection on the tagboard depends on the nominal power of the motor, the power supply and the type of connection. The necessary connection of the bridges in the terminal box is shown in the following (Table 1. and Fig. 7a, 7b, 7c).

Table 1

Type of switch	Motor Power $P_N \leq 4 \text{ kW}$	Motor Power $P_N > 4 \text{ kW}$
		power supply 3 ~ 400 V
direct	Y – connection (7b)	$\Delta$ – connection(7a)
Y / $\Delta$ - start	Impossible	Remove connecting bridges (7c)

### C3- Connecting The Piping

#### C3.1- General

**ATTENTION** • Never use the pump as an anchorage point or as a carrier for the piping.

- The pipes should be supported very near the pump (**Fig. 3**). It must be checked that any weight, stress or strains on the piping system should not be transmitted to the pump. Therefore after completing the piping installation, the bolt and connection on the suction and discharge nozzles must be loosened to ensure that there is not any stress on the piping system to the pump.
- **The nominal sizes of the pump suction and discharge nozzles are no guide to the correct sizes of the suction and discharge piping.** The nominal bores of the pipes should be same as or greater than those of the pump nozzles. Never use pipes or accessories which have smaller bore than the pump nozzles. Particularly foot valves, strainers, filters and non return valves must be preferred with larger free transition areas. In general the flow velocities should not exceed 2 m/s in the suction piping and 3 m/s in the discharge piping. Higher flow velocities will result in higher pressure drops, which could cause cavitation conditions in the suction piping and excessive friction losses in the discharge piping.
- Pipe joints should be by means of flanges with flange gaskets of proper size and material. Flange gasket must be centered between the flange bolts in a such way that there is no interference with the flow of the liquid.
- Thermal expansions of the pipework and excessive vibrations should be accommodated by suitable means so as not to impose any extra load on the pump.
- Prevent impurities such as welding beads, scale, sand and tow might be left in pipes while production of the piping system harms the pump. Seal the pump nozzles by means of blind gasket to stop impurities get in the pump. After assembling the system all the piping parts must be disassembled, thoroughly cleaned, painted and reassembled again. If a strainer is used on the suction side of the pump, it must be cleaned after several days of operation.

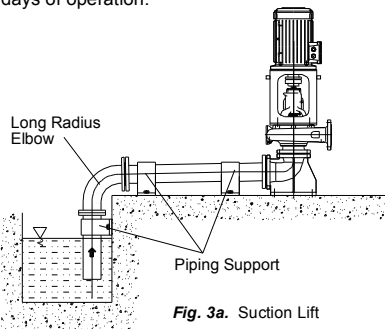


Fig. 3a. Suction Lift

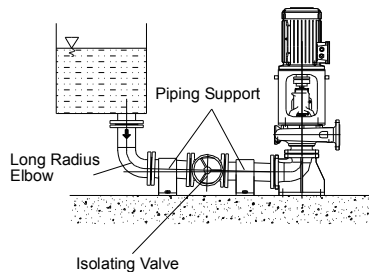


Fig. 3b. Suction Head

#### C3.2- Suction piping (Fig. 4)

- The suction piping must be absolutely leak-tight and not present any features likely to promote the formation of air pockets. Suction piping therefore should have a slight downward slope towards the pump in the case of suction head installation (e.g. flooded suction) and slight upward slope towards the pump in the case of suction lift installation.
- In order to keep the pipe friction losses as low as possible it is essential to avoid any sharp bends and abrupt changes of direction or cross-section and the suction pipe should be kept as short as possible. If it is necessary to change the cross-section of a piping laid almost horizontal, an eccentric reducer, with top horizontal, should be used.
- A positive suction head piping should incorporate an isolating valve with the valve stem in the horizontal position. This valve should always remain fully open while the pump is running and must not be used to regulate the flow.

# Standart

## SNMV-H

### SNMV-H MONOBLOK CENTRIFUGAL PUMPS

#### INSTRUCTION for INSTALLATION, OPERATION & MAINTENANCE



Pump Type	: .....
Serial No	: .....
Capacity	: .....m <sup>3</sup> /h
Head	: .....m
Motor Power	: .....kW
Speed	: .....rpm



BK SNMV-H 00 06-12 EN

# Contents

---

<b>CONTENTS</b>	<b>i</b>
<b>IDENTIFICATION OF SAFETY AND WARNING SYMBOLS</b>	<b>iii</b>
<b>GENERAL INSTRUCTIONS</b>	<b>iii</b>
<b>SAFETY INSTRUCTIONS</b>	<b>iii</b>
<b>A- GENERAL</b>	<b>1</b>
A1- Pump Description	1
A2- Applications	1
A3- Pump Designation	1
A4- Pump Nameplate	1
A5- Technical Data	1
<b>B- UNCRATING, TRANSPORT AND STORAGE</b>	<b>2</b>
B1- Uncrating	2
B2- Transport	2
B2.1- General recommendations	2
B2.2- Lifting	2
B3- Storage	3
<b>C- INSTALLATION ON SITE</b>	<b>3</b>
C1- Preparation For Installation	3
C2- Installation Site	3
C2.1- Foundation	3
C2.2- Installation	3
C3- Connection The Piping	4
C3.1- General	4
C3.2- Suction piping	4
C3.3- Discharge piping	5
C3.4- Auxiliary pipe connections and accessories	5
C3.5- Minimum flow	6
C3.6- Electrical connections	6
C3.7- Final check	7
<b>D- START UP / SHUT DOWN</b>	<b>7</b>
D1- Preparation	7
D1.1- Lubrication control	7
D1.2- Check the shaft seal	7
D1.3- Venting and priming	7
D1.4- Checking the direction of rotation	7
D2- Start Up The Pump	7
D3- Shut Down The Pump	8
D4- Checks To Be Made While The Pump Is Running	8
<b>E- LUBRICATION</b>	<b>8</b>

# L- PUMP GROUPS

1450 d/dak

2900 d/dak

Pump Type	Dimension Group	
32-125	A	
32-160		
32-200		
32-250		
40-125		
40-160		
40-200		
40-250		
40-315		
50-125		
50-160		
50-200		
50-250		
50-315		B
65-125		A
65-160		
65-200		
65-250		
65-315	B	
65-400	A	
80-160		
80-200		
80-250	B	
80-315	C	
80-400		
100-160	B	
100-200		
100-250		
100-315		
100-400	C	
125-200	B	
125-250	C	
125-315		
125-400	B	
150-200		
150-250	C	
150-315		
150-400		

Pump Type	Dimension Group
32-125	A
32-160	
32-200	
32-250	
40-125	
40-160	
40-200	
40-250	
50-125	
50-160	
50-200	
50-250	
65-125	
65-160	
65-200	
65-250	
80-160	B
80-200	
80-250	
100-160	
100-200	
100-250	

## B- UNCRATING, TRANSPORT AND STORAGE

### B1- Uncrating

- Upon receipt verify that the goods received are in exact compliance with that listed on the packing list.
- Check that no visible damage exists on the crate that could have occurred during transportation.
- Carefully remove the packaging material and check that pump and accessories (if any) are free from any markings, stretches and damages, which may have occurred during transportation.
- In the event of damage report this immediately to STANDART POMPA's service department and to the transport company.

### B2- Transport

#### B2.1- General recommendations

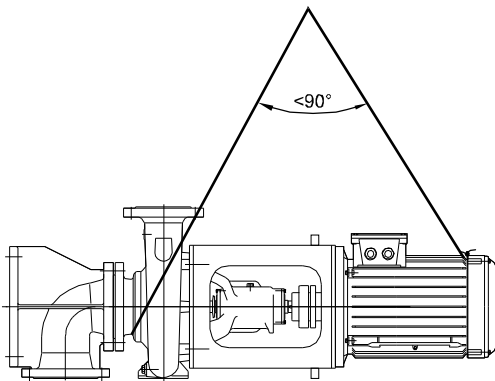


- Existing regulations for the prevention of accidents must be followed.
- Wearing of gloves, hard-toed boots and hard hats is obligatory for all transport works.
- Wooden cases, crates, pallets or boxes may be unloaded with fork-lift trucks or using hoisting slings, depending on their size, weight and construction.

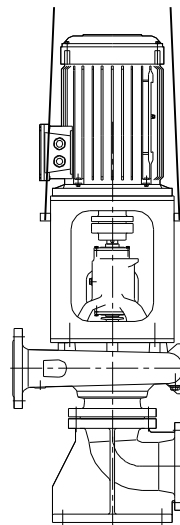
#### B2.2- Lifting

- Prior to lifting and moving the pump or pump and motor on a common base plate find out the following:
  - Total weight and center of gravity
  - Maximum outside dimensions
  - Lifting points location
- The load-bearing capacity must be proper to the weight of the pump or the pump set.
- The pump or pump set must always be raised and transported in horizontal position.
- It is absolutely forbidden to stand beneath or nearby a raised load.
- A load should never remain in a raised position for longer than necessary.
- Accelerating and braking during the lifting process must be performed such that there is no danger to persons.

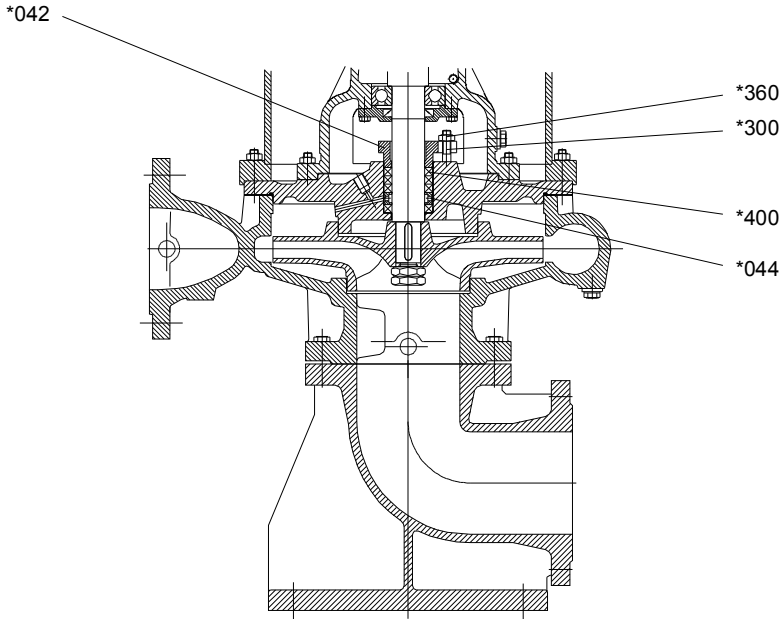
When lifting the pump set lift them as shown in **Fig.1** to avoid any distortion (especially do not use the motor eyebolt for carrying the complete unit).



**Fig. 1** Bare shaft pump



## M2- SECTIONAL DRAWINGS (SOFT PACKING)



### PARTS LIST

001	Volute Casing	200	Ball Bearing
011	Suction Elbow	210	Impeller Key
012	Motor Pedestal	211	Coupling Key
030	Bearing Housing	230	Draining Plug
034.1	Bearing Cover (Inboard)	*300	Stud
034.2	Bearing Cover (Outboard)	301	Hex. Head Bolt
*042	Gland	320	Hex. Head Bolt
*044	Lantern Ring	321	Allen Bolt
046	Casing Cover	322	Allen Bolt
050	Impeller	*360	Hex. Nut
060	Pump Shaft	361	Hex. Nut
065	Impeller Nut	*400	Stuffing Box Packing
067	Sepecer Sleeve	405	Mechanical Seal
085.1	Rigid Coupling (Pump Side)	420	O-Ring
085.2	Rigid Coupling (Motor Side)	600	Electric Motor
088	Thrower		