



Pump • Fire Fighting Units • Booster Set

# NMT WET ROTOR CIRCULATION PUMPS



NMT Rev.11.09.2021



## Handled Liquids

In use for pumping clean water or clean water & anti-freeze mixture liquids in heating systems. Water should be according to current quality standards (such as VDI 2035). Liquid should not be contained with abrasive or explosive mixtures, mineral oil, solid or fibrous particles.

## Technical Data

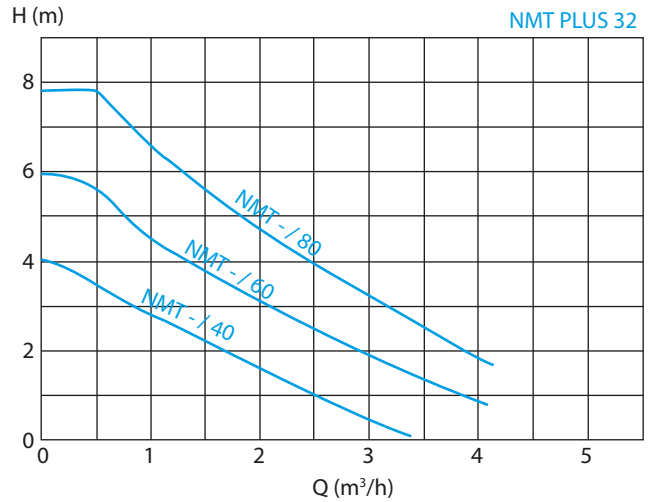
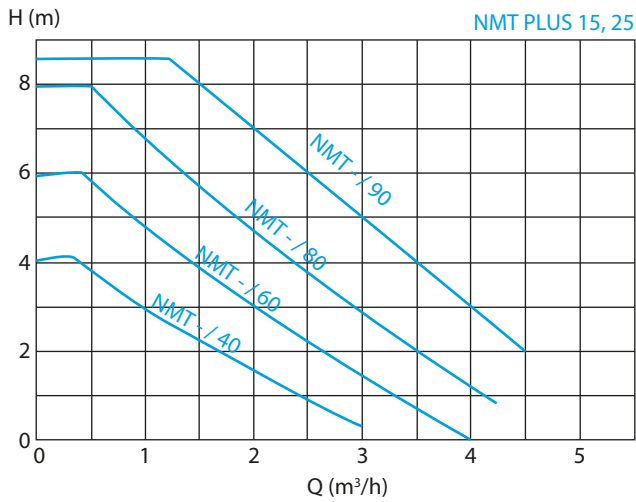
	NMT PLUS NMTD PLUS	NMT SMART NMTD SMART	NMT SMART F NMTD SMART F	NMT MAX F NMTD MAX F	NMT LAN F NMTD LAN F
• Connection Dimension	15-25-32	25-32	32-40-50	40-50	40-65-80-100
• Connection type	Screwed	Screwed	Flange	Flange	Flange
• Maximum Capacity (m <sup>3</sup> /h)	5	11	11	37,5	78
• Maximum Head (m)	8	12	10	12	18
• Pressure Class (PN)	10	10	10	6 / 10	6 / 10
• Maximum Power (W)	55	180	180	560	1600
• Voltage (V)	1x230	1x230	1x230	1x230	1x230
• Design Temperature (°C)	+5 / +95	+2 / +110	+2 / +110	+2 / +110	-10 / +110
<b>Material Information</b>					
• Casing	Cast Iron	Cast Iron	Cast Iron	Cast Iron	Cast Iron
• Impeller	Polyamide	PES	PES	PES	S. Steel
• Shaft	Ceramic	S. Steel	S. Steel	S. Steel	S. Steel
• Bearing	Ceramic	Graphite	Graphite	Graphite	Graphite
• Rotor Can	S. Steel	S. Steel	S. Steel	S. Steel	S. Steel

## Design Features

- NMT series pumps have variable speed design. Depending on request, they can be supplied as twin type.
- The bearings of the pumps are made of carbon and special hardened steel shaft prevents the wear of the bearings and ensures very quiet operation.
- Good choice for heating systems (Floor Heating – Radiator Heating – Air Conditioning Systems – Solar Systems)
- NMT series pumps, which reduce the electricity consumption to a minimum level, are produced with care as a complete engineering example in terms of efficiency and quality.
- All products (ISO 9001 - CE) are certified and manufactured in European (EU) standards.
- Designed to optimize your energy consumption with features such as variable pressure, constant pressure, constant speed and night mode.
- The full form of ERP regulation is "energy-related products". Purpose of 2009/125 / EC regulation is to reduce energy consumption according to environmental requirements. These environmental requirements are explained in 2013 for EU circulation pumps. From 2013 onwards, this regulation will be practically implemented in the following 2 steps within 7 years.
  - The first phase; EEI max will be 0,23 from 01/08/2015 - Part 2
  - The second phase; EEI max will be 0.23 from 01/01/2020 - Part 2 In this section will cover the replacement of pumps used in heating, ventilation and air conditioning systems.
- Criteria for the best efficient circulators is EEI ≤ 0.20 - Part 2

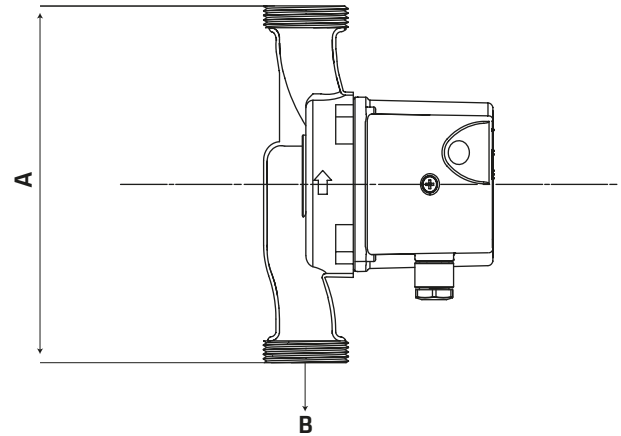
# NMT PLUS

NMT



Pump Type	EEl	A (mm)	B	Pmax (w)
NMT PLUS 15/40-130	0,16	130	Rp 1/2	20
NMT PLUS 25/40-130	0,16	130	Rp 1	20
NMT PLUS 25/60-130	0,18	130	Rp 1	35
NMT PLUS 25/80-130	0,21	130	Rp 1	55
NMT PLUS 25/90-130	0,23	130	Rp 1	100
NMT PLUS 32/40-180	0,15	180	Rp 1¼	20
NMT PLUS 32/60-180	0,17	180	Rp 1¼	35
NMT PLUS 32/80-180	0,19	180	Rp 1¼	55

Pump Type	EEl	A (mm)	B	Pmax (w)
NMTD PLUS 25/60-180	0,17	180	Rp 1	2x35
NMTD PLUS 25/80-180	0,19	180	Rp 1	2x55



## Pump Designation

# NMT D PLUS 25 / 60 - 130

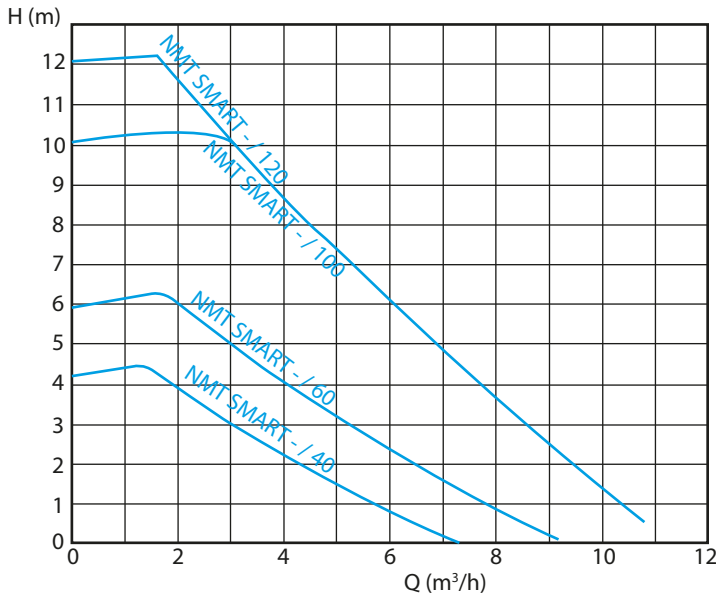
Twin Type \_\_\_\_\_

Pump Type \_\_\_\_\_

Suction and Discharge Nozzle (DN-mm) \_\_\_\_\_

Maximum Head x10 \_\_\_\_\_

Connection Length (mm) \_\_\_\_\_



Pump Type	EEl	A (mm)	B	Pmax (w)
NMT SMART 25/40-180	≤ 0,19	180	Rp 1	70
NMT SMART 25/60-180	≤ 0,21	180	Rp 1	90
NMT SMART 25/100-180	≤ 0,21	180	Rp 1	180
NMT SMART 32/60-180	≤ 0,21	180	Rp 1¼	90
NMT SMART 32/100-180	≤ 0,21	180	Rp 1¼	180
NMT SMART 32/120-180	≤ 0,21	180	Rp 1¼	180

Pump Type	EEl	A (mm)	B	Pmax (w)
NMT SMART 32/40 F	≤ 0,21	220	DN 32	60
NMT SMART 32/60 F	≤ 0,21	220	DN 32	90
NMT SMART 32/100 F	≤ 0,21	220	DN 32	180
NMT SMART 40/60 F	≤ 0,21	220	DN 40	90
NMT SMART 40/100 F	≤ 0,21	220	DN 40	180
NMT SMART 50/100 F	≤ 0,21	240	DN 50	180

Pump Type	EEl	A (mm)	B	Pmax (w)
NMTD SMART 32/60-180	≤ 0,21	180	Rp 1¼	2x90
NMTD SMART 32/100-180	≤ 0,21	180	Rp 1¼	2x180

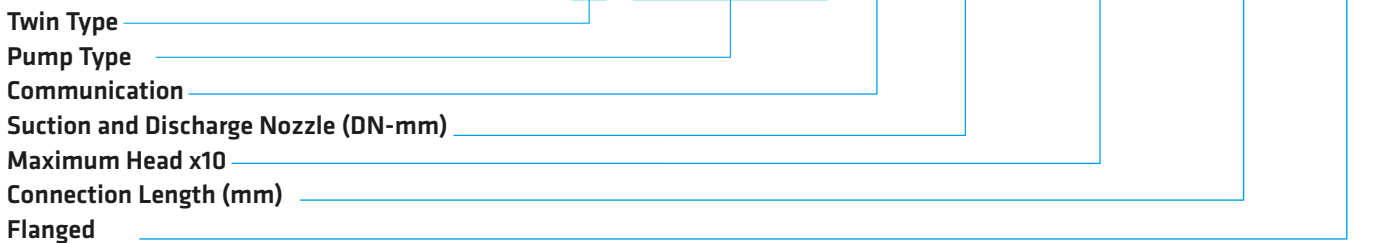
Pump Type	EEl	A (mm)	B	Pmax (w)
NMTD SMART 40/60 F	≤ 0,21	220	DN 40	2x90
NMTD SMART 40/100 F	≤ 0,21	220	DN 40	2x180

## Communication

(\*Smart C : Ethernet, Modbus RTU, Analog control input 0-10 V, 3 Analog input / output, 1 relay output

## Pump Designation

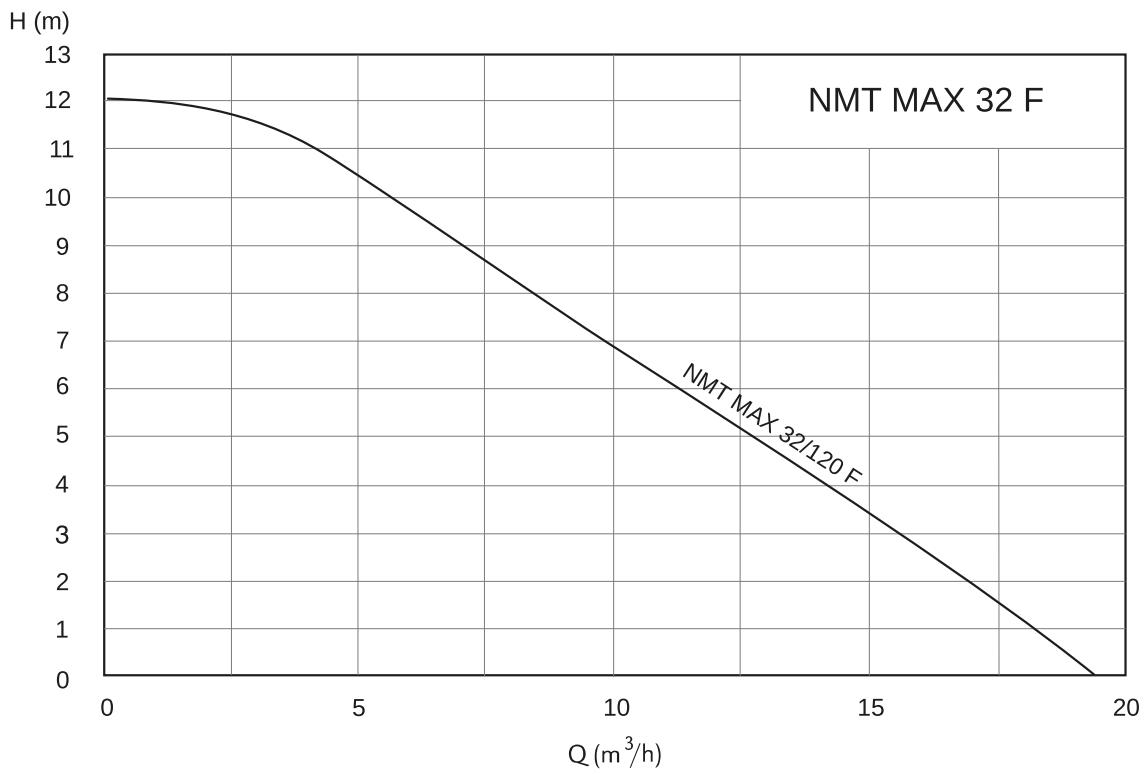
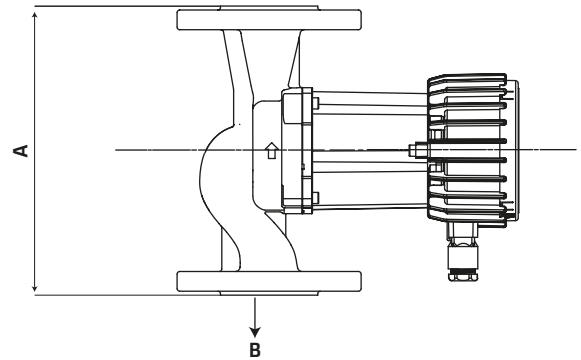
**NMT D SMART C 25 / 60 - 180 F**

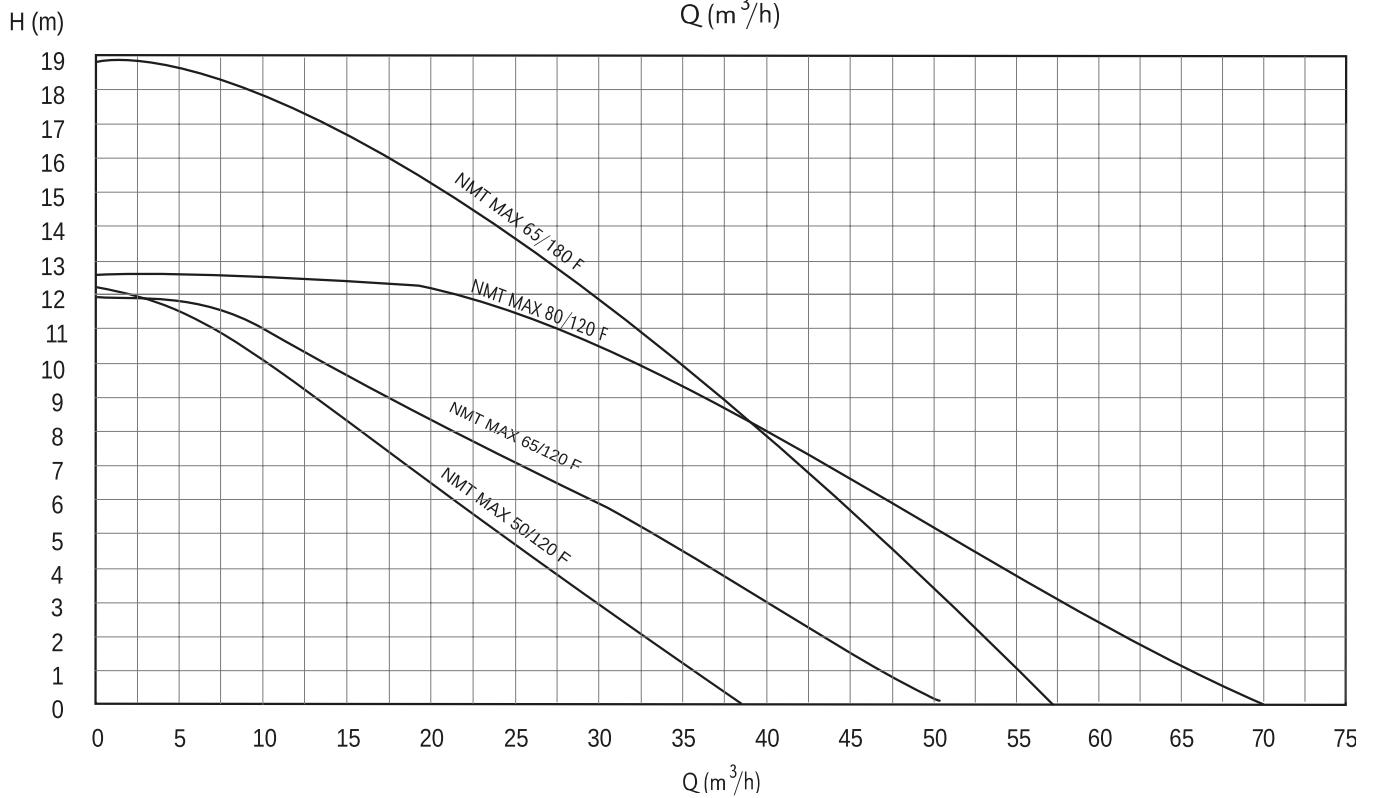
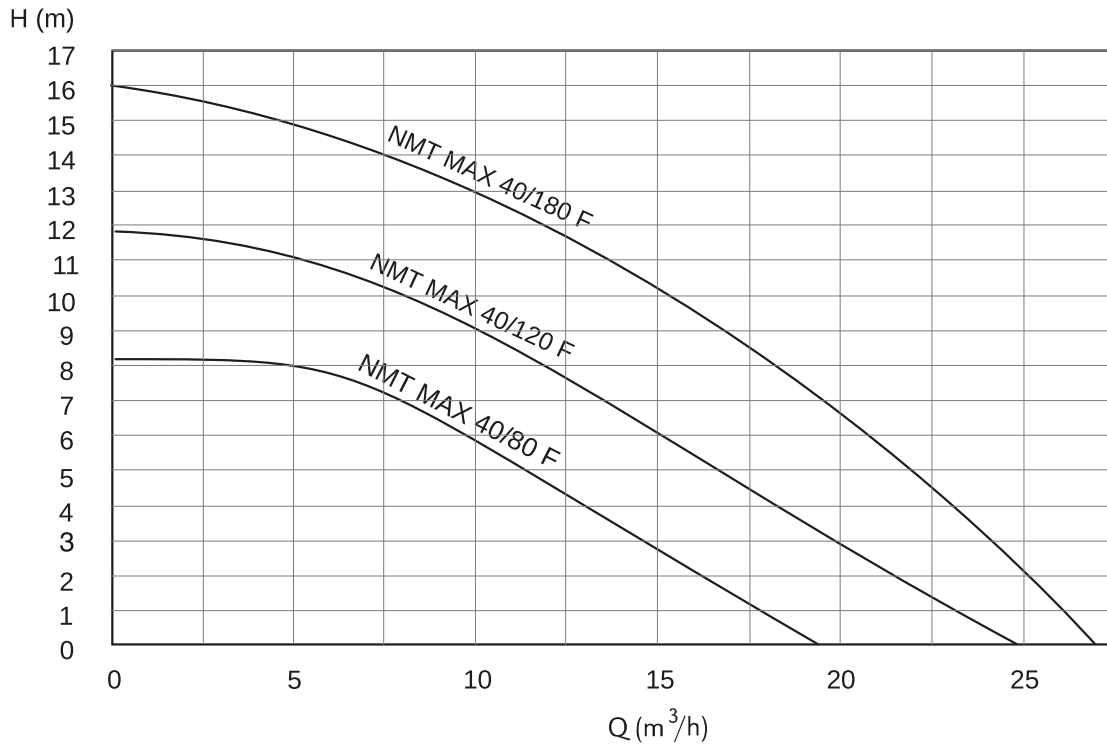




Pompa Tipleri	EEl	A (mm)	B	PN	Pmax (w)
NMT MAX 32/120 F	≤ 0,20	220	DN 32	6/10	370
NMT MAX 40/80 F	≤ 0,21	250	DN 40	6/10	270
NMT MAX 40/120 F	≤ 0,21	250	DN 40	6/10	480
NMT MAX 40/180 F	≤ 0,21	250	DN 40	6/10	680
NMT MAX 50/120 F	≤ 0,21	280	DN 50	6/10	560
NMT MAX 65/120 F	≤ 0,20	340	DN 65	6/10	810
NMT MAX C 65/180 F	≤ 0,20	340	DN 65	6/10	1550
NMT MAX C 80/120 F	≤ 0,20	360	DN 80	10	1380

Pompa Tipleri	EEl	A (mm)	B	PN	Pmax (w)
NMTD MAX 40/120 F	≤ 0,21	250	DN 40	6/10	2x480
NMTD MAX 50/120 F	≤ 0,21	280	DN 50	6/10	2x560
NMTD MAX 65/120 F	≤ 0,20	340	DN 65	6/10	2x810
NMTD MAX C 80/120 F	≤ 0,20	360	DN 80	10	2x1380



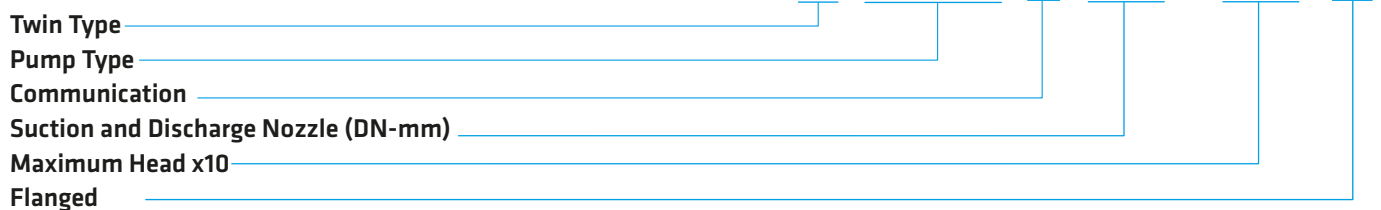


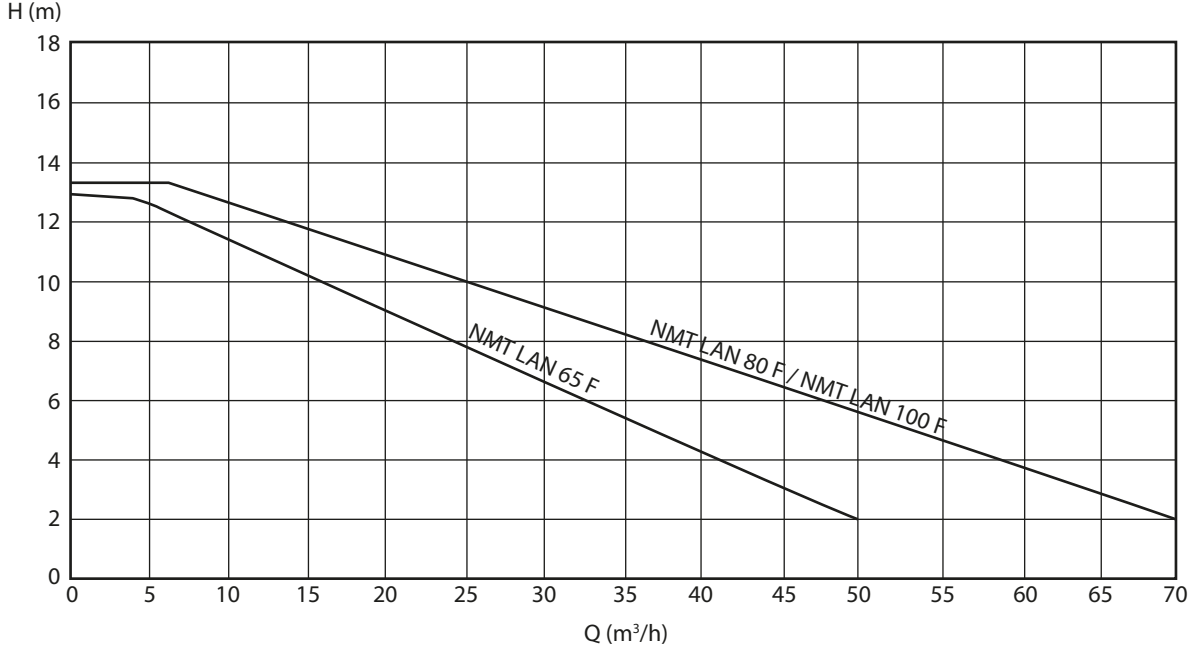
## Communication

(\*Max C : Ethernet, Modbus RTU, Analog control input 0-10 V, 3 Analog input / output, 1 relay output

## Pump Designation

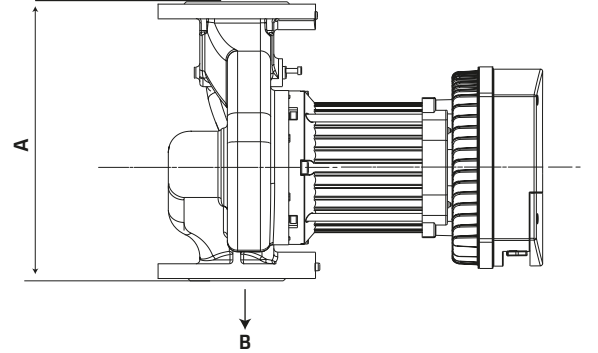
**NMT D MAX C 40 / 80 F**





Pompa Tipleri	EEI	A (mm)	B	PN	Pmax (w)
NMT LAN 100 F	≤ 0,23	360	DN 100	10	1600

Pompa Tipleri	EEI	A (mm)	B	PN	Pmax (w)
NMTD LAN 65 F	≤ 0,23	340	DN 65	6/10	2x1100
NMTD LAN 80 F	≤ 0,23	360	DN 80	10	2x1600



## Haberleşme

Lan : Ethernet

(\*Lan C : Ethernet, Modbus RTU, Analog kontrol girişi 0-10 V, 3 Analog girişi / çıkışı, 1 röle çıkışı)

## Pompanın İsimlendirilmesi

**NMT D LAN C 40 / 180 F**

İkiz Tip

Pompa Tipi

Haberleşme

Emme - Basma Ölçüsü (DN-mm)

Maksimum Basma Yüksekliği x10

Flanşlı Tip