



Pump • Fire Fighting Units • Booster Set

SMV

Vertical Shaft Turbine Pump

SMV Rev.11.09.2021

Handled Liquids

Clean or contaminated lake waters, rivers, dam waters, untreated industrial waters and liquids with fibrous and solid substances.

Technical Data

Discharge Flange _____ up to 1000 mm

Capacity _____ up to 8000 m³/h

Head _____ up to 250 m

Speed _____ up to 1450 rpm

Operating Temperature _____ up to + 80 °C

Design Features

- Single or multi stage mixed flow pumps.
- It usually consists of group of stages, columns and discharge caps.
- Flow capacity is between 300 – 8000 m³/h and head is up to 250m. Custom manufacturing is needed for larger capacities.
- They are usually mounted vertically.
- There are no suction problems at first motion since stages are in contact with fluid.
- High efficiency and low operating costs.
- Mounting and demounting are easier with flanged column pipes.
- Enclosed or semi-open impeller is used.

Pump Designation

SMV 16 B - 3

Pump Type _____

External Diameter of Stage _____

Impeller Type _____

Number of Stages _____

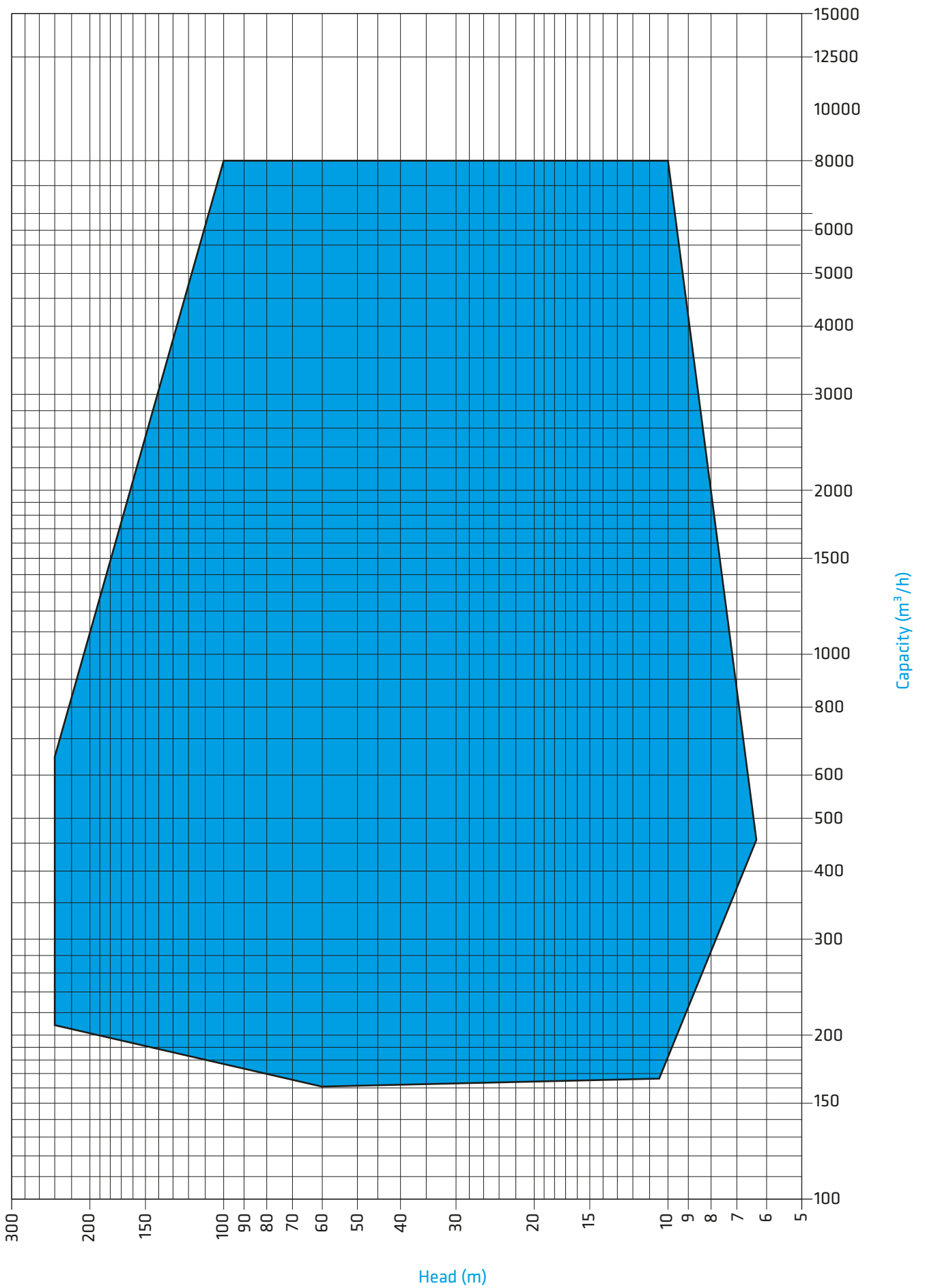


- It can be lubricated with handled liquids or grease. It also can be lubricated with clean water or oils by customer request.
- Discharge head can be placed above ground or underground.
- VHS or V1 electric motor can be used.
- Bronze or rubber intermediate bearing can be selected.

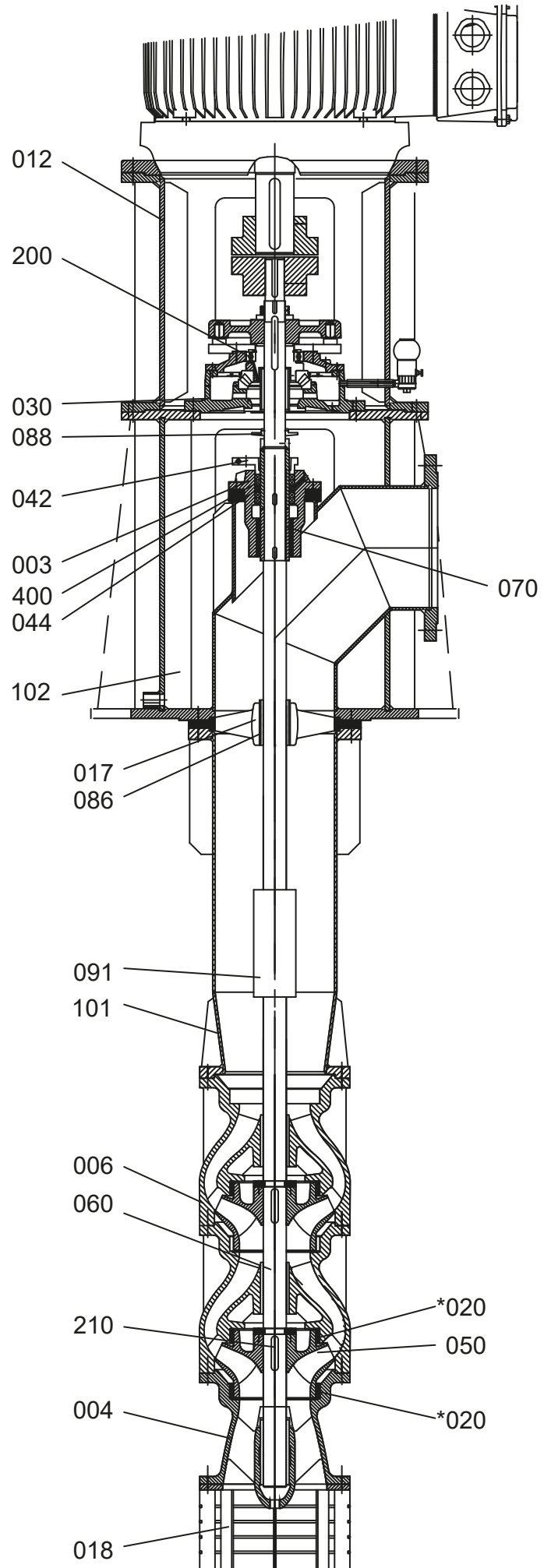
Shaft Sealing

- Depending on type of the fluid and operating conditions, soft seal, single, double or cartridge type mechanical seal is used.

Field Chart



Sectional Drawings

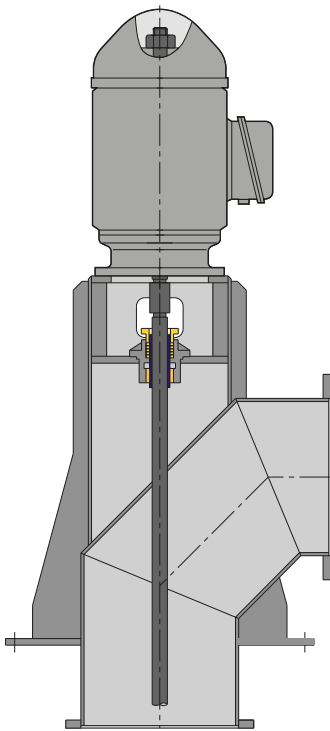


Part List

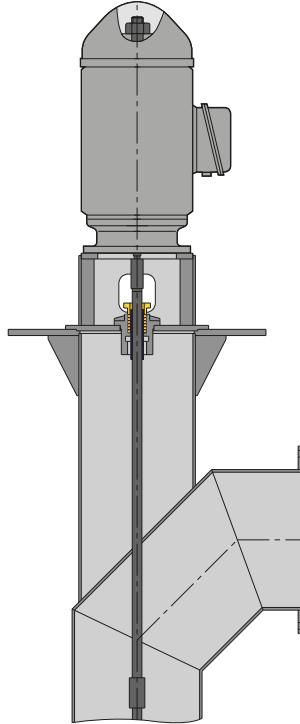
003	Stuffing Box
004	Suction Bell
006	Stage
012	Motor Pedestal
017	Intermediate Bearing Housing
018	Filter
020	Wear Ring
030	Thrust Bearing Housing
042	Gland
044	Lantern Ring
050	Impeller
060	Shaft
070	Shaft Sleeve
086	Intermediate Bearing
088	Thrower
091	Coupling
101	Column Pipe
102	Discharge Head
200	Bearing
210	Key
400	Soft Packing

Sectional Drawings

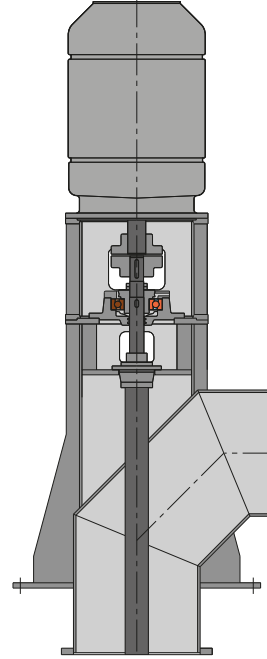
Types of Discharge Head



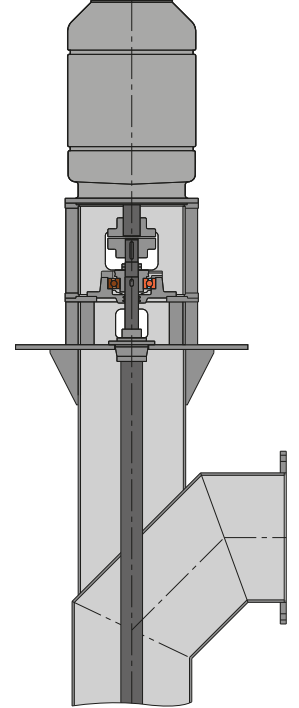
Above ground
VHS electric
motor



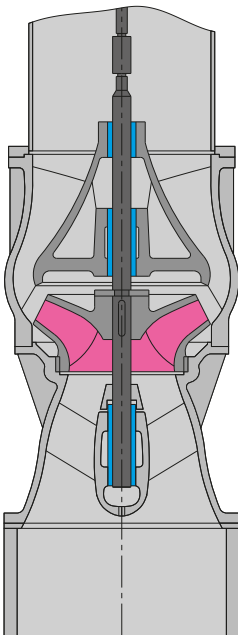
Underground
VHS electric
motor



Above Ground
Thrust Bearing
V1 electric motor

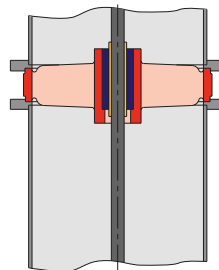


Underground
Thrust Bearing
V1 electric motor

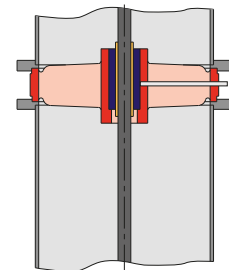


Stage group of mixed
flow pump

Column Bearing Housing



W/L Water
Lubricated



G/L Grease
Lubricated